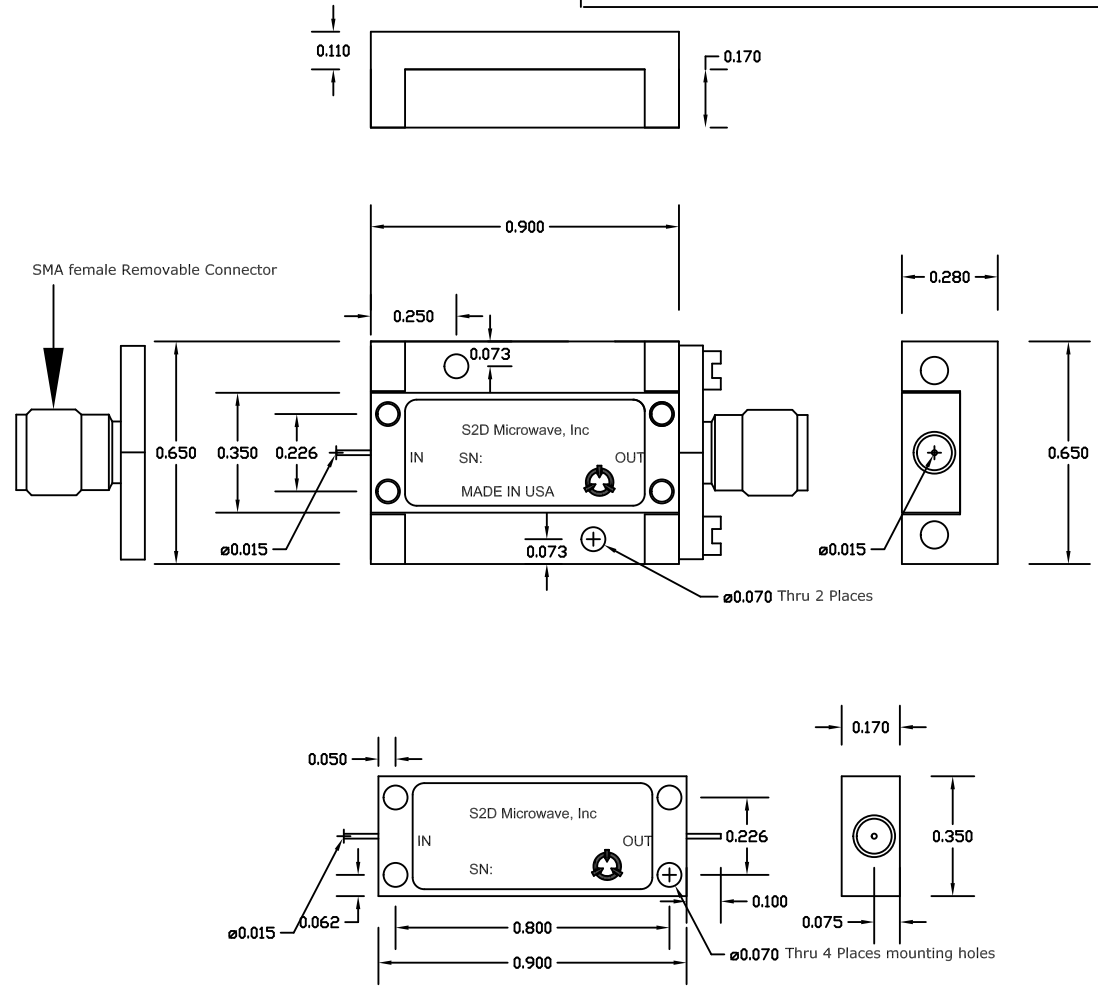


REVISIONS				
ZONE	REV	DESCRIPTION	DATE	APPROVED
	B	INITIAL RELEASE	02/15/2014	D.B



All Dimensions in Inches
Tolerances:
Fractions Decimals Angles
- ±0.01 ±3°
 ±0.005

Model# S1

Material: AL Alloy 6061-T6 per QQ-A-250/11

Plating: Gold plating MIL-STD-45208C



OUTLINE DRAWING
LIMITER

SIZE	FSCM NO. 65BW0	DWG NO.	REV
SCALE: None		SHEET 1 of 1	

NOTE: Specifications are subject to revision or change
Units are designed to meet the environmental rating.
For environmental testing please contact sales@s2dmicrowave.com.