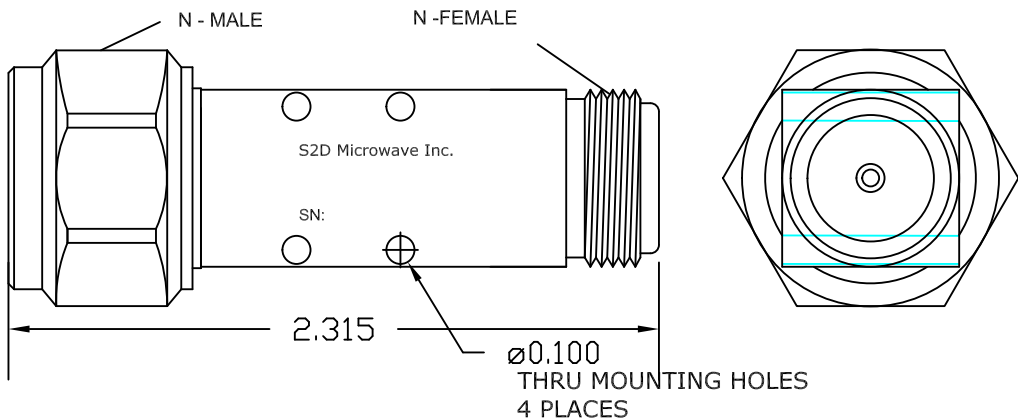


REVISIONS				
ZONE	REV	DESCRIPTION	DATE	APPROVED
	A	INITIAL RELEASE	04/24/2012	



SPECIFICATION

FREQUENCY Hz TO 10 GHz
 VSWR: 1.7:1
 IMPEDANCE 50OHM
 INPUT POWER(AVG) 5 WATTS @+25°C
 PEAK POWER 100 WATTS
 (5µSEC PULSE, 0.05% DUTY CYCLE)
 ATTENUATION ACCURACY Hz TO 10 GHz - ±0.75dB

ENVIRONMENTAL RATINGS:

TEMPERATURE: -40°C TO +85°C (OPERATING)
 -65°C TO +125°C (STORAGE)
 SHOCK: MIL-STD-202F, METHOD 2138 COND, B
 VIBRATION: MIL-STD-202F, METHOD 204D COND, B
 HUMIDITY: MIL-STD-202F, METHOD 103B COND, B
 ALTITUDE: MIL-STD-202F, METHOD 105C COND, B
 TEMPERATURE CYCLE: MIL-STD-202F, METHOD 107D CONDA

All Dimensions in Inches Tolerances: Fractions Decimals Angles - ±0.01 ±3° ±0.005	
Model# S0-AT5200010	
Material: AL Alloy 6061-T6 per QQ-A-250/11	
Plating: Electroless nickel per MIL-C-26074	



OUTLINE DRAWING
FIXED ATTENUATOR

SIZE	FSCM NO.	DWG NO. 100-412-S0-01	REV
SCALE: None		SHEET 1 of 1	

NOTE: Specifications are subject to revision or change
 Units are designed to meet the environmental rating.
 For environmental testing please contact sales@s2dmicrowave.com.