

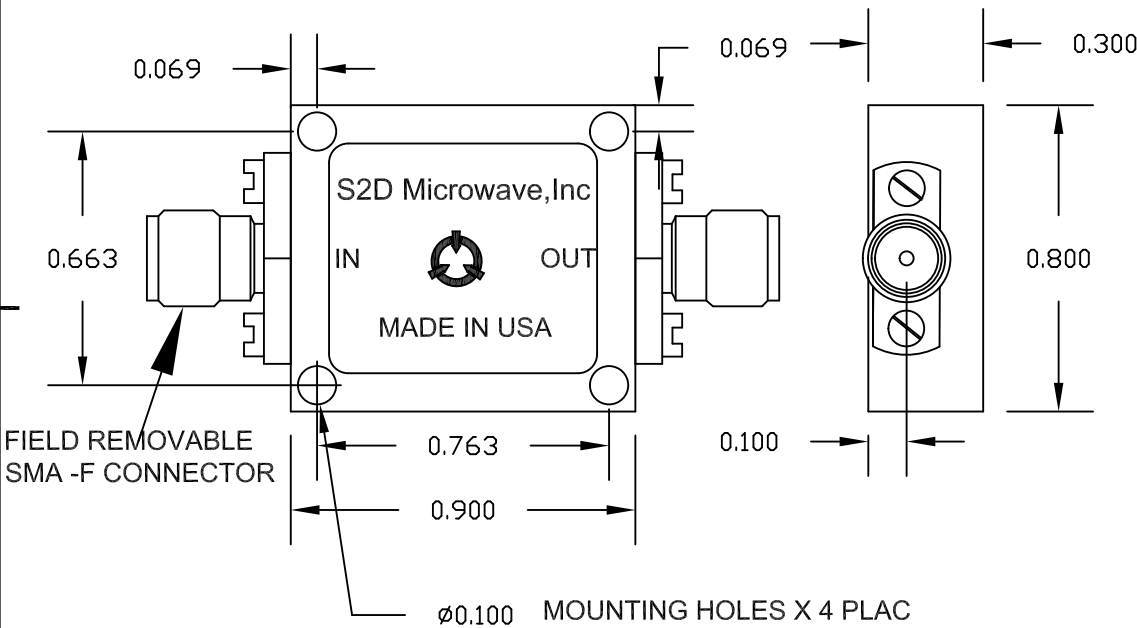
REVISIONS				
ZONE	REV	DESCRIPTION	DATE	APPROVED
	A	INITIAL RELEASE	09/10/2012	

SPECIFICATION

FREQUENCY DC TO 9 GHz
 VSWR: 1.8:1
 IMPEDANCE 50 OHM
 INPUT POWER(AVG) 5 WATTS @ +25°C
 PEAK POWER 50 WATTS
 ATTENUATION 50 Db
 ATTENUATION ACCURACY DC TO 9 GHz - ±2.0 dB

ENVIRONMENTAL RATINGS:

TEMPERATURE: -40°C TO +85°C (OPERATING)
 -65°C TO +125°C (STORAGE)
 SHOCK: MIL-STD-202F, METHOD 213 B COND, B
 VIBRATION: MIL-STD-202F, METHOD 204 D COND, B
 HUMIDITY: MIL-STD-202F, METHOD 103 B COND, B
 ALTITUDE: MIL-STD-202F, METHOD 105 C COND, B
 TEMPERATURE CYCLE: MIL-STD-202F, METHOD 107 D CONDA



All Dimensions in Inches Tolerances: Fractions Decimals Angles - ±0.01 ±3° ±0.005	
Model# S3-AT550009	
Material: AL Alloy 6061-T6 per QQ-A-250/11	
Plating: Electroless nickel per MIL-C-26074	



OUTLINE DRAWING
FIXED ATTENUATOR

SIZE	FSCM NO.65BW0	DWG NO. 100-912-S3AT-01	REV
SCALE: None		SHEET 1 of 1	

NOTE: Specifications are subject to revision or change
 Units are designed to meet the environmental rating.
 For environmental testing please contact sales@s2dmicrowave.com.