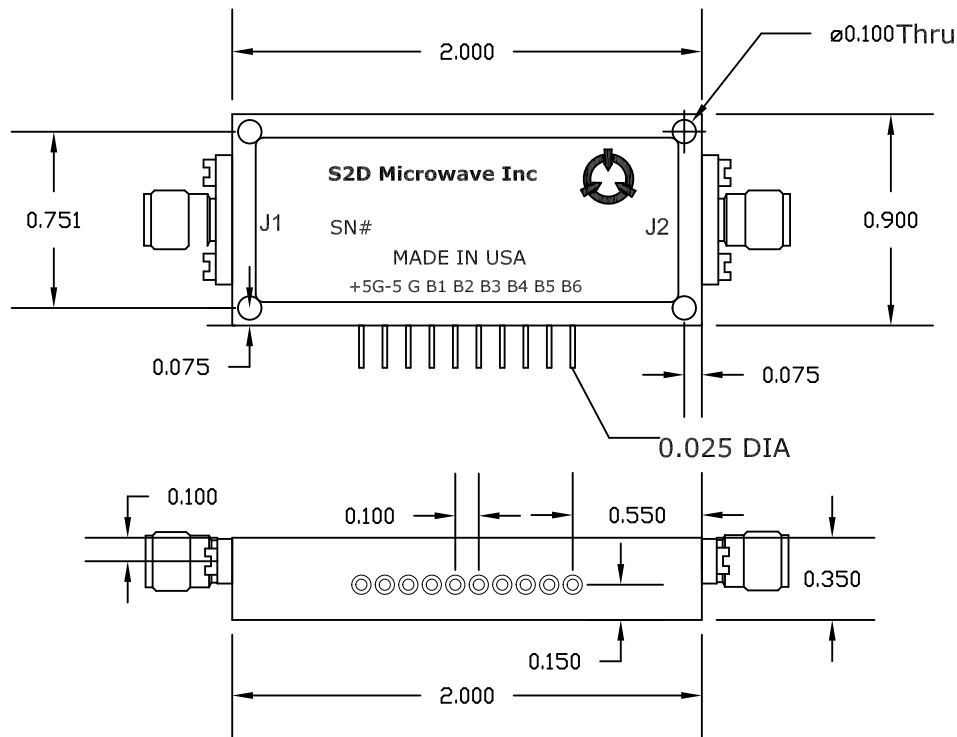


REVISIONS				
ZONE	REV	DESCRIPTION	DATE	APPROVED
	A	INITIAL RELEASE	08/11/2012	



SPECIFICATION

FREQUENCY	0.5- 18GHz
VSWR:	2:1
INSERTION LOSS.....	6.0dB Typ
ATTENUATION CONTROL	6 BIT BINARY
SWITCHING SPEED	120ns Typ
IMPEDANCE	50OHM
INPUT POWER(AVG)	20dBm @+25°C
PEAK POWER	1 WATTS
	(1μSEC PULSE, 0.05% DUTY CYCLE)
ATTENUATION ACCURACY5TO 10GHz - ± 0.75dB
	10to 18 GHz- ± 1.5dB

ENVIRONMENTAL RATINGS:

TEMPERATURE	-40C TO +85C (OPERATING)
	-65C TO +125C (STORAGE)
SHOCK:	MIL-STD-202F, METHOD 213B COND, B
VIBRATION:	MIL-STD-202F, METHOD 204D COND, B

All Dimensions in Inches Tolerances: Fractions Decimals Angles - ±0.01 ±3° ±0.005	
Model# S5AT-0264512R518	
Material: AL Alloy 6061-T6 per QQ-A-250/11	
Plating: Electroless nickel per MIL-C-26074	



OUTLINE DRAWING
DIGITAL PIN ATTENUATOR

SIZE	FSCM NO.	DWG NO. 100-812-S5AT-01	REV
SCALE: None		SHEET 1 of 1	

NOTE: Specifications are subject to revision or change
Units are designed to meet the environmental rating.
For environmental testing please contact sales@s2dmicrowave.com.

USER