

## S2-02R512R520

S2D Microwave, Inc. offers broad band, high performance RF Microwave pin diode switches. S2-02512R520 is high performance 500 MHz to 20 GHz reflective design with low insertion loss of 2.5 dB max. The switch is packaged in a gold plated housing.



### Applications

- Military Radar, Radio and ECM
- Test Instrumentation
- Telecom Infrastructure
- Microwave Radio & VSAT

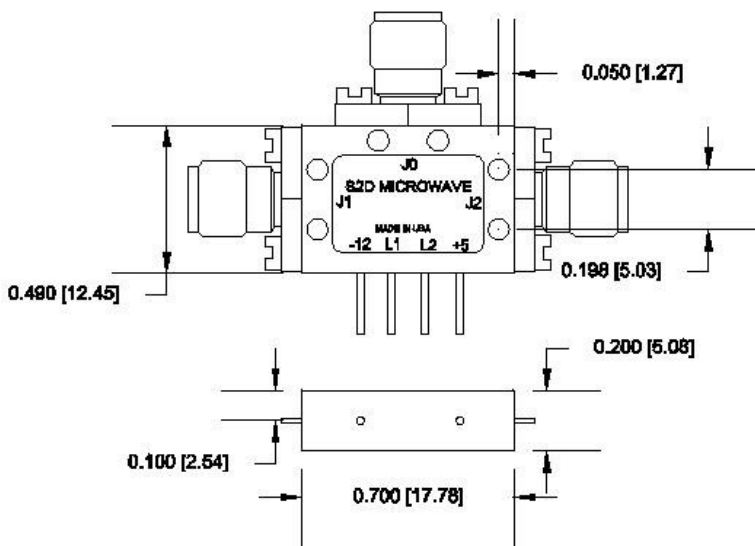
### Electrical Specifications

Frequency	0.5 to 20 GHz
Insertion Loss	2.5 dB Max
Isolation	65 dB min
VSWR	1.7 dB max
Impedance	50 Ohm
Bias Voltage	+5@40mA -12@60mA
Switching Speed	30 nsec Typ
RF Power Handling	20 dBm Max

### Control

- TTL Logic 0: Low Loss
- TTL Logic 1: Isolation

### Mechanical Specifications



Ground and Bias connector - solder pins

Material Connector: Passivated stainless steel

Material Contacts: Gold plated BeCu

Connector: Removable SMA(F) X 3

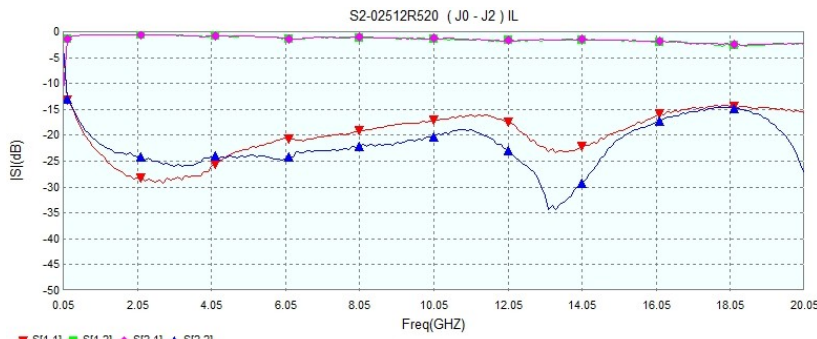
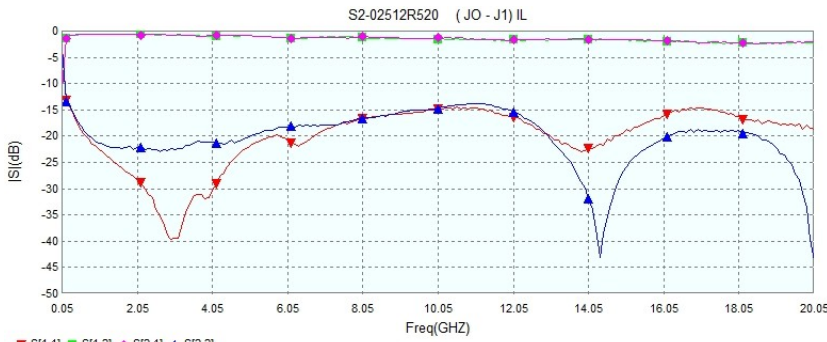
Mounting holes DIA 70 mil X 6 places

Operating Temperature: -55 °C to +85 °C

Plating: Gold Plated

S2D Microwave, Inc. reserves all the rights to change any specification without notice. Contact S2D Microwave, Inc. for the most recent specifications.

### Typical Performance



S2D Microwave, Inc. reserves all the rights to change any specification without notice. Contact S2D Microwave, Inc. for the most recent specifications.