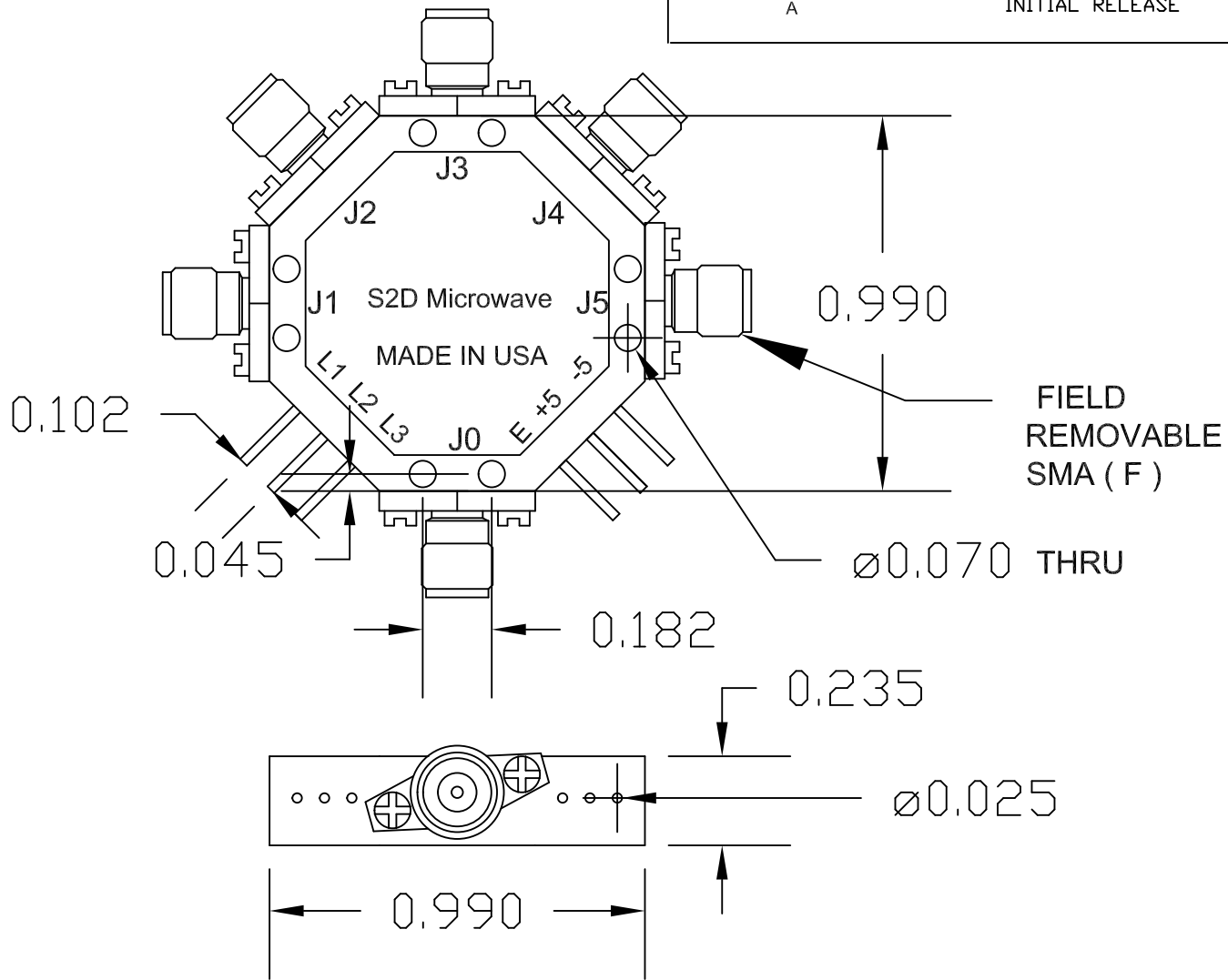


REVISIONS				
ZONE	REV	DESCRIPTION	DATE	APPROVED
	A	INITIAL RELEASE	10/10/2012	



All Dimensions in Inches
Tolerances:
Fractions Decimals Angles
- ± 0.01 $\pm 3^\circ$
 ± 0.005

Model# S4-

Material: AL Alloy 6061-T6 per QQ-A-250/11

Plating: Electroless nickel per MIL-C-26074



S4 - PACKAGE
OUTLINE DRAWING

SIZE	FSCM NO.65BW0	DWG NO. 100-1012-S4-01	REV
SCALE: None		SHEET 1 of 1	

NOTE: Specifications are subject to revision or change
Units are designed to meet the environmental rating.
For environmental testing please contact sales@s2dmicrowave.com.